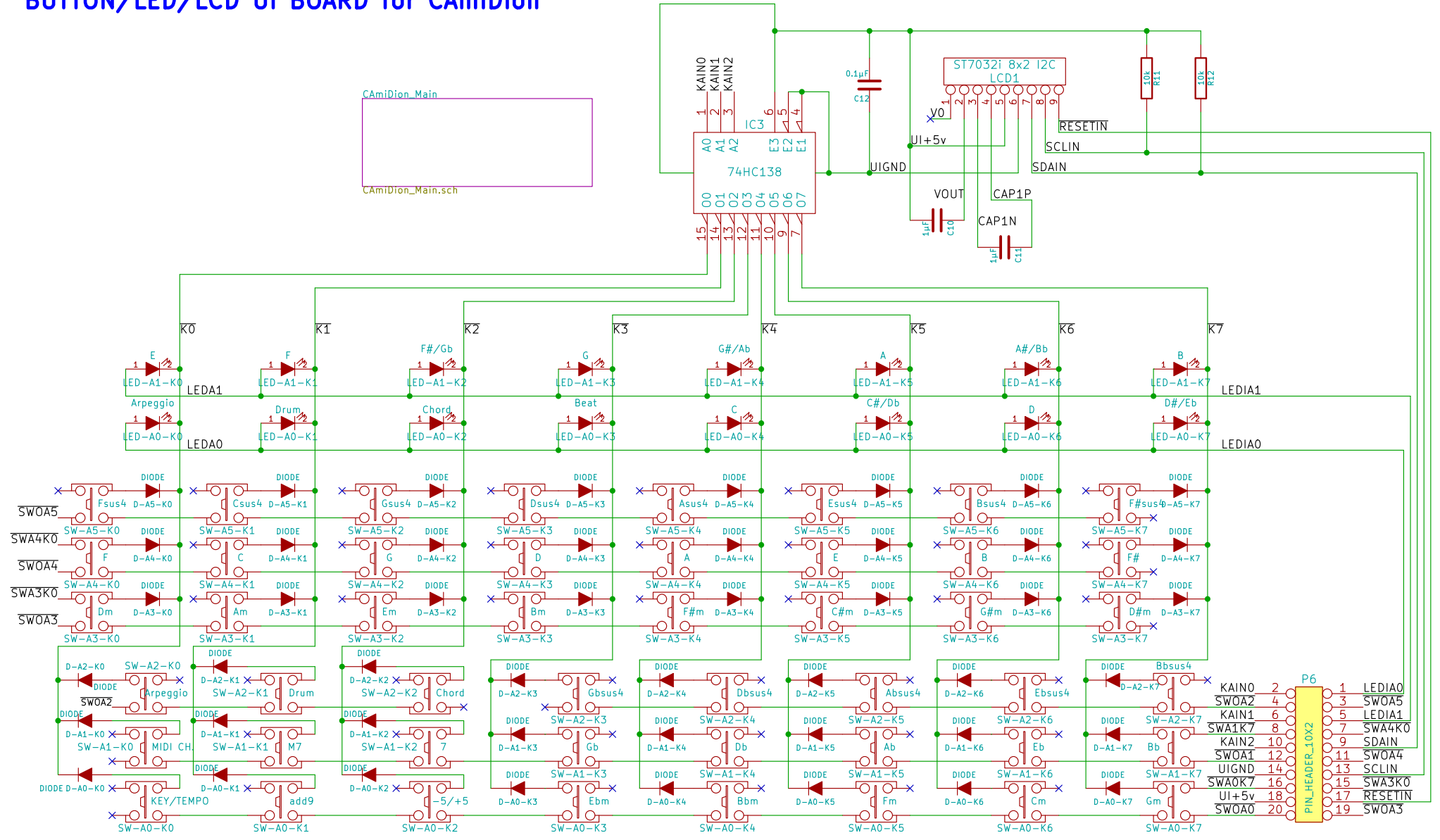
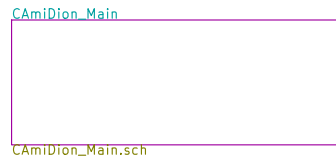
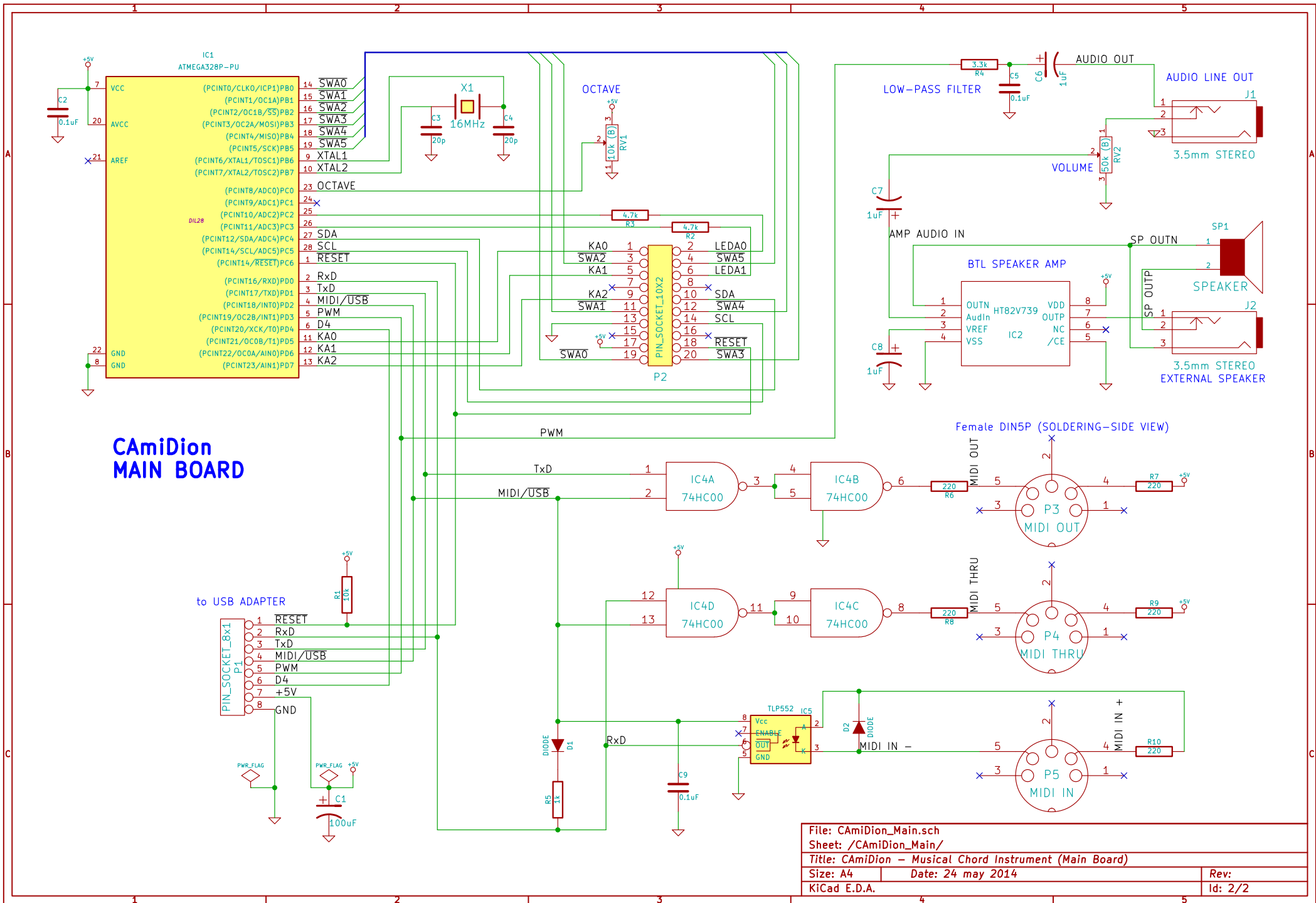


BUTTON/LED/LCD UI BOARD for CamiDion



File: CamiDion_UI.sch	
Sheet: /	
Title: CamiDion – Musical Chord Instrument (UI Board)	
Size: A4	Date: 24 may 2014
KiCad E.D.A.	Rev: 1/2



File: CamiDion_Main.sch	
Sheet: /CamiDion_Main/	
Title: CamiDion - Musical Chord Instrument (Main Board)	
Size: A4	Date: 24 may 2014
KiCad E.D.A.	Rev: Id: 2/2